

Tournament Management
And
Target Checklist

Tournament Checklist-Target

1. Safety (all sides)
2. Distances
3. Separation Between Lines
4. Target Lines
5. Shooting Line
6. Waiting Line
7. 3-meter Line
8. Buttresses
9. Lanes
10. Target Faces
11. Mounting of Target Faces
12. Height of Centers
13. Angle of Buttresses
14. Buttresses Secured
15. Target Numbers
16. Wind Flags
17. Judge Flags at Targets
18. Shooting Numbers
19. Judge Flags at Shooting Line
20. Signals-Visual-Acoustic
21. Shooting Sequence Devise
22. Leaderboards
23. Scoreboards
24. Loudspeaker System
25. DOS Platform
26. Chairs or Benches
27. Shelter for Archers
28. Umbrellas and Tables
29. Bow Stands
30. Litter Bins
31. Toilet Facilities
32. Spare Buttresses
33. Spare Target Faces
34. Practice Field
35. Inspect Archer's Equipment
36. Dress Regulations
37. Media Control
38. Jury of Appeal
39. Advertising
40. Emergency Telephone Nos.

Doctor _____

Hospital _____

First Aid _____

Location of Telephone _____

Safety

Suitable barriers shall be erected around the range to keep spectators back. Such barriers shall be at least 10 meters behind the Waiting Line, and at least 20 meters away from each side of the range; and as far beyond the target base line as necessary to prevent members of the public from moving past the archer's line of vision or shooting.

1. The width of the range, length of shooting lines, the central clear lane and the safety lanes along the sides are determined by the number of competitors.
2. The safety lanes along the sides shall be at least 20 meters wide.
3. The safety areas behind the target buttresses at the longest distance shall be at least 50 meters unless the ground rises adequately or protective fencing or barriers are provided.
4. Suitable barriers shall separate the shooting field from the spectators' areas.

Distances

The range shall be squared off and each distance accurately measured from a point vertically beneath the gold of each target to the shooting line. Tolerance on the field dimensions at 90/70/60 meters shall be +/- 30cm; at 50/30 meters shall be +/- 15cm.

Separation Between Lines

All competitors shall be accommodated on one range. The Women's portion of the range shall be separated from the Men's by a clear lane at least 5 meters wide.

For the Olympic Round a central clear lane need be 10 meters wide.

The clear lane dividing the women's section from the men's section of the range must be at least 10 meters wide at major events and at least 5 meters wide at other events.

At Target Championships the tournament must be held on an open field and not in an arena or stadium closed in on all sides. However, the Finals of Championships and the Olympic Games may be shot in a stadium.

At Target Championships seating accommodations for all competitors, team officials and Judges shall be made available close behind the waiting line.

Behind the waiting line at Target Championships and near the assembly points at Field Championships, the organizers shall provide adequate shelter against the weather for the competitors and their equipment.

Adequate toilet facilities for women and men shall be provided within reasonable distance of the shooting field. Handicapped facilities must also be made available.

The Director of Shooting (DOS) shall be positioned on a raised platform situated on or slightly behind the shooting line. To be placed either at the separation between the women's and men's sections of the field or at one end of the field.

Lines at right angle to the Shooting Line, and extending from the Shooting Line to the furthest Target Line, shall be laid down to contain one, two or three targets.

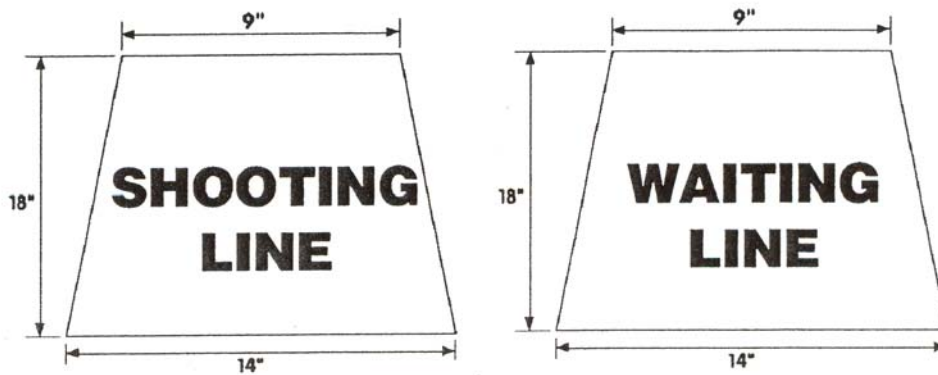
Shooting Line

The Shooting Line shall be placed 5 meters in front of the Waiting Line.

Waiting Line

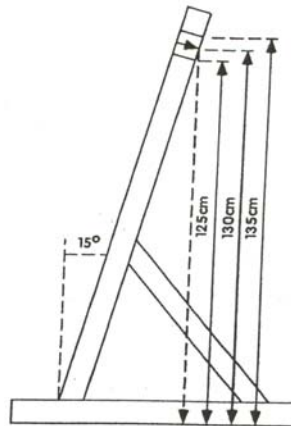
A Waiting Line shall be placed 5 meters behind the Shooting Line.

Waiting Line, Shooting Line and Target Distance markers are not required, but they help the competitors and enhance the appearance of the competition field.



Buttresses

Each buttress shall be set up at an angle of 10 to about 15 degrees from the vertical.



The center of the gold shall be 130cm above the ground, as measured from an estimated even ground level. A tolerance of this measurement shall not exceed +/- 5 cm. The

height of the centers of the gold in the line of buttresses on the range should at all times look straight.

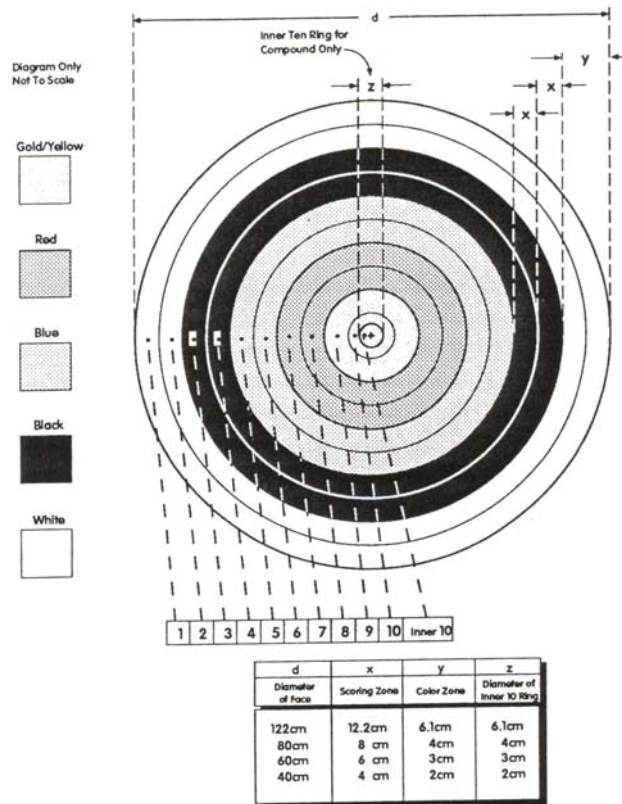
The size of the buttress front, whether it is round or square, must not be less than 124cm in any direction. This is to ensure that any arrow hitting the buttress and just missing the outermost edge of the target will remain in the buttress.

Buttresses shall be staked down securely to the ground to prevent them from being blown over by the wind or in the process of the competitors pulling arrows. Any portion of a buttress and its supports likely to cause damage to an arrow shall be covered. Care is necessary, particularly when multiple target faces are to be used that arrows are not damaged by the buttress supports.

Target Faces

There are three FITA Outdoor Target Faces; 122cm, 80cm and the 80cm multiple face. Only those Target Faces produced by a manufacturer licensed by FITA shall be used at all FITA competitions.

The 122cm and 80cm target faces are divided into five concentric color zones. These are arranged from the center outwards as follows; Gold (Yellow), Red, Blue, Black and White. Each color is in turn divided by a thin line into two zones of equal width thus making ten scoring zones of equal width. Measured from the center of the Gold: 6.1cm on the 122cm target face and 4cm on the 80cm target face. Such dividing lines shall be made entirely within the higher scoring zones in each case. Any line marking the outermost edge of the White scoring zone shall be made within the scoring zone. The width of the thin dividing lines as well as the outermost line shall not exceed 2mm on either the 122cm or the 80cm target faces. The center of the target face is termed the "pinhole" and shall be indicated by a small "X" (cross), the lines of which shall not exceed 2mm in width.



Tolerance Measurements

The permissible variations in dimensions of the target face in each of the 10 zones shall be measured by the diameters of each separate circle enclosing each of the 10 zones. The tolerance of each such diameter shall not exceed +/- 3mm on the 122cm target face and +/- 2mm on the 80cm target face, i.e., measured through the center outwards.

ZONE	Diameter 122cmFace	Tolerance plus / minus	Diameter 80cm Face	Tolerance plus / minus
10	12.2cm	3mm	8cm	2mm
9	24.4	3	16	2
8	36.6	3	24	2
7	48.8	3	32	2
6	61.0	3	40	2
5	73.2	3	48	2
4	85.4	3	56	2
3	97.6	3	64	2
2	109.8	3	72	2
1	122	3	80	2

Size of Target Faces at Different Distances

For the distances of 90, 70, and 60 meters, the target face of 122 cm shall be used. For the distances of 50 and 30 meters, the target face of 80cm shall be used with the possible exception of the 80cm multiple face being used at 30 meters.

Target faces may be made of paper, cloth or any other suitable material. All faces shall be uniform and of the same material for the entire tournament.

Note: The inspection of the target faces should be completed while the faces have been exposed to the same temperature and humidity as they will when in use. This will make it easier for inspection and you should notice any difficulty in the tolerance requirements.

Mounting of Target Faces

When target pins are being used it is important to know where can the Judges find spares should they be needed. Whatever method for securing target faces is used, be aware that inclement weather or high winds may impact the method used. Target pins should not be placed within the scoring zones of the target face and not do damage to an arrow striking the target pin.

Height of Centers

The center of the gold shall be 130cm above the ground as measured from an estimated even ground level. A tolerance of measurement shall not exceed +/- 5cm. The height of the centers of the gold, in a line of buttresses on the range shall at all times look straight.

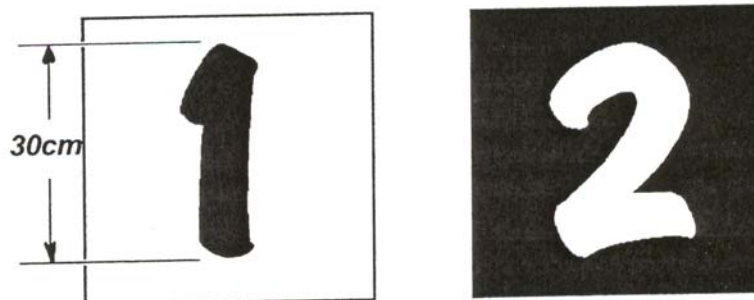
Angle of the Buttresses

Each buttress shall be set up at an angle of 10 to about 15 degrees from the vertical.

Buttresses shall be staked securely to the ground to prevent them from being blown over by the wind with either a wood or metal stake and a secure rope.

Target Numbers

Buttresses shall have target numbers. The numbers shall be 30cm tall and shall be black on a yellow background, alternating with yellow on a black background (e.g., No.1 Black on Yellow, No.2 Yellow on Black, etc.) Target numbers shall be affixed above or below the center of each target, so as to be clear of the target face. Targets shall be numbered from the central lane outwards on both sides of the shooting range. Or may be numbered from left to right when the DOS stand is placed at the end of the shooting range.



Numbers at Shooting Line

At a point about 1 meter in front of the Shooting Line directly opposite each buttress shall be marked and numbered corresponding to the buttress. Numbers shall be 15cm tall and black on yellow, yellow on black as to match the target numbers.



Wind Flags

Flags of any lightweight material and color easily visible (such as yellow or red) to serve as wind indicators shall be placed above the center of each target. The flags need to be placed 40cm above the top of the buttress or the target number, whichever is higher. Such flags shall not be more than 30cm and not less than 25cm in any direction.

Judge Flags

Flags or some other suitable device, whereby competitors at the target and on the shooting line can call for a Judge.

Signal-Acoustic and Visual

The Director of Shooting shall control the shooting. Starting and ending of each time limit with a whistle or any other device giving an audible signal.

Visual

The Director of Shooting shall control each time limit by means of digital clocks, lights, plates and/or any simple device in addition to the audible sound signal referred to above. In the event of any discrepancy between the Acoustic and the Visual Time Control, the Acoustic Control shall take precedence.

Plates

The plates are not less than 120cm by 80cm in size. They must be securely mounted to resist any wind and must be easy to turn quickly to show either side. One side of the plate shall be striped with 20-25cm wide stripes alternating black and yellow. The stripes to be at an angle of about 45 degrees. The reverse side shall be all yellow. These are to be used in the event of a power failure.

Lights

The colors shall be Red, Yellow and Green in that order with the Red upper most. The lights must be synchronized and at no time shall two different colors be on at the same time. In FITA Championships the lights must be linked to the acoustic equipment so that the first sound of the acoustic is simultaneous with the light.

Digital Clocks

When timing is controlled by use of digital clocks the figures on the clocks shall be a minimum of 20cm in height and must be able to be immediately stopped and reset as may be required. The clock must function on a countdown mode. All other requirements shall be the same as required for lights.

Emergency Equipment

When the time limit is controlled by electrical equipment, plates, flags or other simple manual devices must be available in case of a failure of the electrical equipment. Lights and/or digital clocks are mandatory at FITA events

Visual signals are to be placed on both sides of the field and, if necessary, in the clear lane between the men's and women's targets so that both right and left handed archers shall be able to see them. They are to be placed in front of the shooting line at any distance shorter than 30 meters, but visible to all archers on the shooting line.

Order of Shooting Device

A device to indicate the order of shooting; AB-CD shall be provided. The letters shall be large enough to be read by all competitors from their shooting positions. Two or more such devices may be needed.

Leader boards

A means of displaying the progressive scores, target assignments of all the archers and any notices pertinent to the tournament. Scores should be posted after each distance and at the end of the day.

Scoreboard

One or several large scoreboards for progressive totals shall be provided for at least the first eight in a division.

The progressive total for the top competitors must be displayed on the scoreboard after each distance or more frequently as is possible.

Loudspeaker System

Loudspeaker equipment is recommended at large tournaments to make communication more effective. This system is an information system for the archers and spectators alike. The Director of Shooting or announcer may give out information of interest as well as information that is essential to the running of the tournament for the archers, Judges and the organizing committee.

At large tournament it is also recommended that there be some type of radio system be provided for the Judges communication.

Director of Shooting Platform

A raised platform should be provided with adequate seating facilities for the Director of Shooting, an assistant and an announcer if necessary. Also make sure there is space for a table and any other necessary equipment.

This platform may be placed on or behind the shooting line at the clear lane between the men's and women's targets or at either end of the tournament field

Chairs or Benches

Sufficient chairs or benches shall be provided for the competitors in the covered competitor's area behind the waiting line.

Shelter for Competitors

Behind the waiting line at outdoor championships the organizing committee shall provide adequate shelter against the weather for the competitors and their equipment. This should also be a secure area to keep spectators from this area.

Umbrellas and Tables

Similar to the above. Umbrellas would provide shelter and tables could be utilized for storing equipment and/or refreshments for the archers. Umbrellas and a chair shall be provided for each Judge on the waiting line.

Litter Bins

Obviously the appearance of the tournament field can be enhanced when litter and debris is placed in a container. It also eliminates potential hazards such as tripping over litter and debris.

Toilet Facilities

Adequate toilet facilities for women and men shall be provided within reasonable distance of the shooting field or along the sides as permitted.

Spare Buttresses

Spare buttresses should be located nearby in case of pass-throughs, whereby the buttress could be replaced quickly. They should be located behind and on both sides of the field.

Spare Target Faces

Judges need to know where spare target faces are located and have access to them for replacement purposes when required.

Adequate numbers of target faces should be on hand for replacements, especially during severe weather conditions.

Practice Field

At Outdoor Target Championships, the tournament field may be used by the competitors for practice at times arranged by the organizers. Or another separate field may be provided.

A practice field must be made available on days of the Finals Round for those archers eliminated from the Finals Round who may still be competing in the Team Round event.

For the Olympic Round a practice field shall be made available alongside the competition field where competitors still in the competition may practice during the Elimination and the Finals Round event.

A Director of Shooting must be in charge of the official practice field at all times. He will give acoustic signals to indicate when all shooting must stop in order to allow archers to collect their arrows, and again when shooting can be resumed.

Upon the Director of Shooting sounding the acoustic control, all archers will move forward to collect their arrows. No archer may shoot during this time. Archers contravening this rule may be barred from that practice session.

Any change in the distance at which targets are set must be by permission of the Director of Shooting. He may ask the practicing archers to assist him in moving and rearranging targets should he so require.

Archer's Equipment

On the day before the first day of competition, or in some cases on the day of competition, the organizers shall arrange on or near the practice field for equipment inspection. The Judges shall inspect all the equipment including spares and accessories that each archer intends to use during the competition.

Judges may request equipment to be modified or changed if found in contravention of FITA rules.

If an archer is compelled, during the course of the competition, to use equipment which has not been submitted for inspection, it is his duty to show such equipment to the Judges before using it. Any competitor contravening this rule may have his scores disqualified.

Registration Numbers

The organizing committee shall provide registration numbers for each competitor. The competitor's registration number shall be worn in a visible place at all times while shooting is in progress.

Media

At major Target Championships the media is provided with a lane specifically for their use. It is located between the waiting and the archer's equipment area. They are allowed

access here only. Judges need to be aware that the media does not infringe or pass through the archer's equipment area. The media is to receive clear instructions as to their authorized areas. Photographer's blinds may be provided for their use. Movement to and from these blinds must be limited to when the archers are scoring as not to interfere. At all times be aware of the media and photographers as enter an area of concern: Good judgement and common sense are always welcome when dealing with the media and photographer.

Tournament Personnel

A tournament can be a very large undertaking, with a tremendous amount of work involved. Make sure there are adequate personnel to set up the field, run the scoring, maintain the field during and after the competition and to compile and publish results during and afterwards. Two or three people cannot put on a successful tournament in an efficient manner. So begin planning well in advance of the tournament.

Olympic Rounds

The Olympic round is separated into 2 phases: the Elimination Round and the Finals Round. The Elimination Round may be either a FITA Round of 144 arrows or a round, as shoot in the Olympics, of 72 arrows shoot at 70 meters. These rounds are used to rank the archers for placement into the match brackets.

Elimination Round

Individual

The 1/32 up to the finals matches will be shoot altogether with the use of the timing system, controlled by the DOS from the DOS stand. The finals matches will be shoot individually, if time allows, and will be controlled by a Line Judge at the shooting line.

In the 1/32 and 1/16 Elimination matches there may be two competitors per target butt, in the 1/8 and 1/4 Elimination matches each competitor will shoot on a separate target butt, at the organizer's discretion. Competitors will go to the target butt to score and collect their arrows.

During Elimination and Finals matches the competitor on the top line of each pair on the pairing chart will shoot on the left side of that match. The left/right position of the competitors for all of the matches will follow the pairing chart. (See pairing chart)

The arrangement of target butts for each step of the competition shall be the choice of the organizer.

Finals Round

Individual

Each archer will shoot on a separate target butt (alternating shooting) and will not go to the target butt to score or collect their arrows. Each competitor will appoint a competitor's agent who will observe the scores recorded and mark and withdraw the arrows. The arrows will be returned to the competitor at the completion of every end after the second end.

During alternating shooting, a coin toss will determine the order or shooting or the first end. There after the order or shooting will continue to be alternating throughout the match, including in the event of a tie.

Team Round

The ranking of each team will be determined by the combined total of the three highest scoring archers from that team in the individual qualifying round. All archers of the team must have shot in the qualifying round.

The team consists of 3 or 4 competitors; the fourth competitor shall wait behind the coach's box. A team may substitute a competitor at any time between ends. The team on the top of the pairing chart shall shoot on the left side of the match just as in the individual matches. (See pairing chart)

In the Team Round both teams will shoot at the same time.

Both teams will start each end of their match with all three archers behind the 1 meter line. The first archer may only move to the shooting line when the DOS has started the match. The three competitors will shoot three arrows each in any order. Only one competitor will occupy the shooting line, while the others remain behind the 1 meter line. When moving forward to shoot competitors must not remove their arrows from their quivers until they are on the shooting line.

In the Finals Round, alternating shooting will take place, with a coin toss determining the order of shooting of the first end. The team with the lower score will start shooting the second and third ends of that match. If teams have a tie the team which started the match will shoot first.

When the first team has shot three arrows and the archer has returned behind the 1 meter line the clock of that team is stopped. The clock of the second team will be started and the archer may cross the 1 meter line. This is repeated until each team has shot 9 arrows or their time has expired.

Ties

In the event of a tie in score, the ranking of the results will be determined in the following order for ties occurring in all Rounds, except for those deciding entrance into the Elimination Rounds.

Individual and Teams

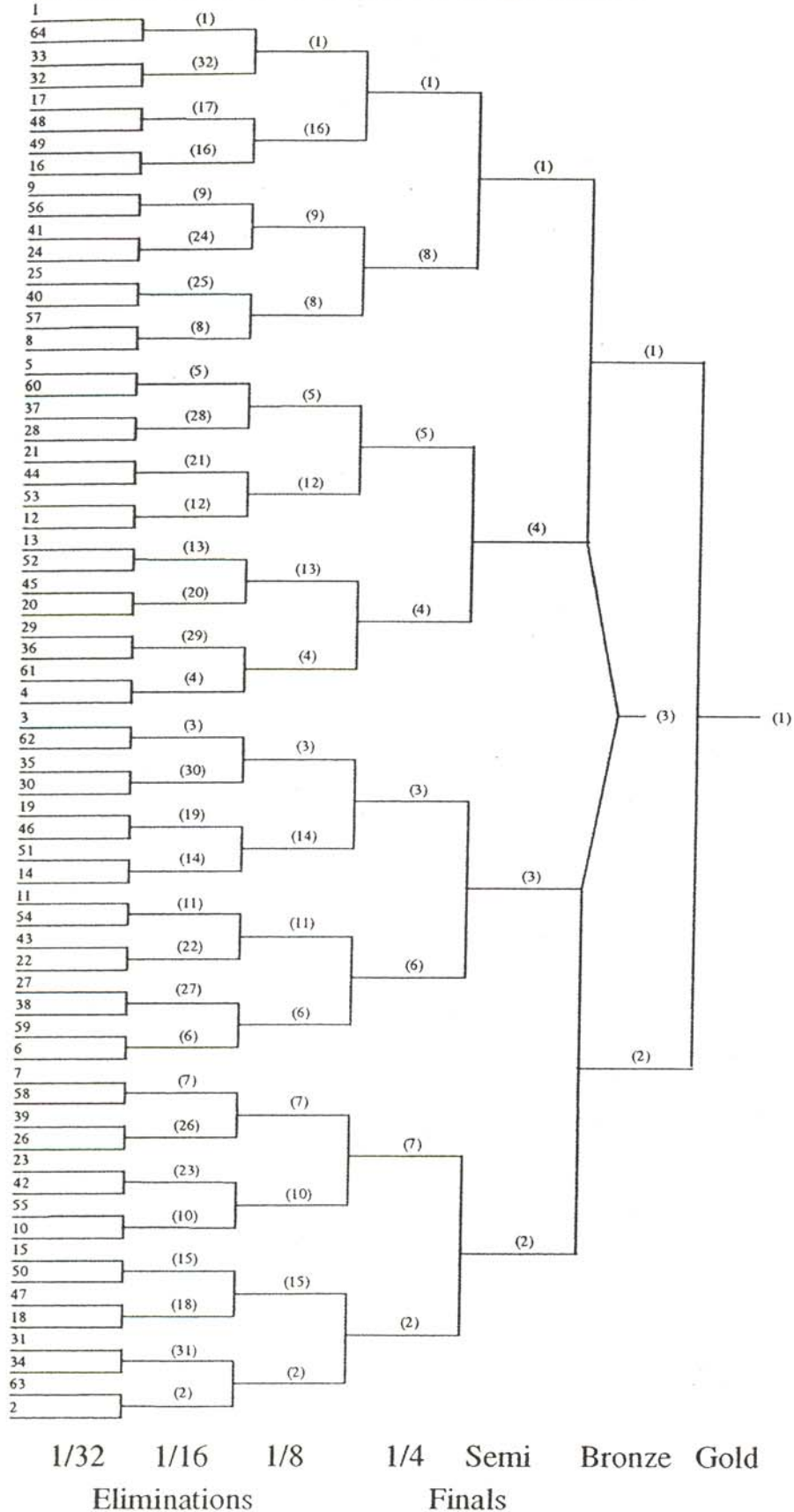
- Greatest number of hits
- Greatest number of 10's
- Greatest number of X's (inner 10's)
- After this competitors still tying will be declared equal and will be given the same position in the results except for those entering the Elimination Rounds, a coin toss will decide the position of those declared equal for placement within the pairing chart.

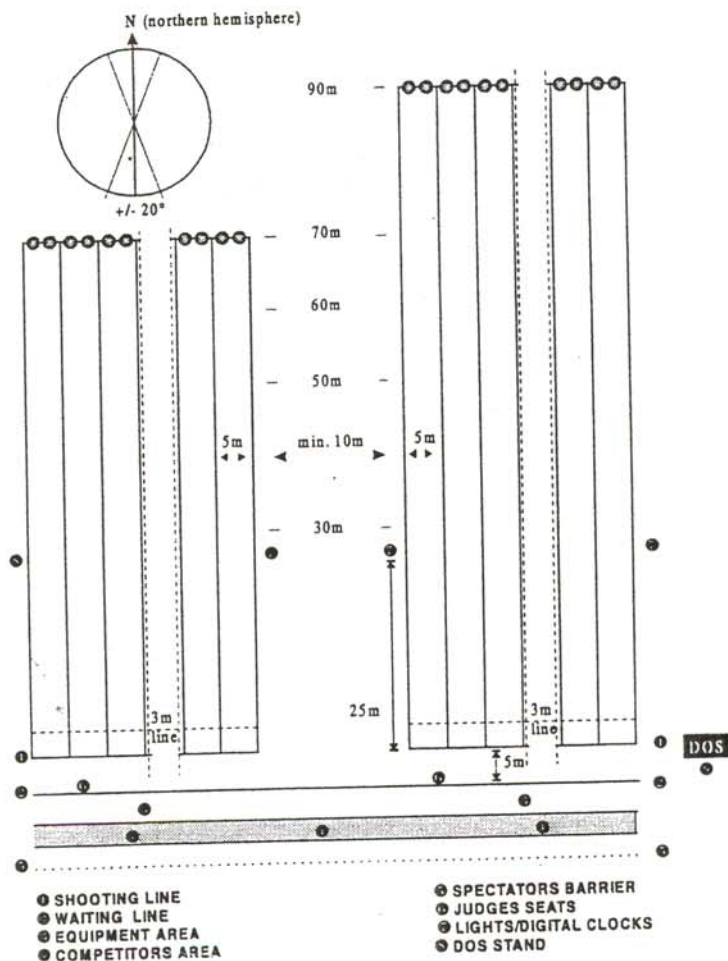
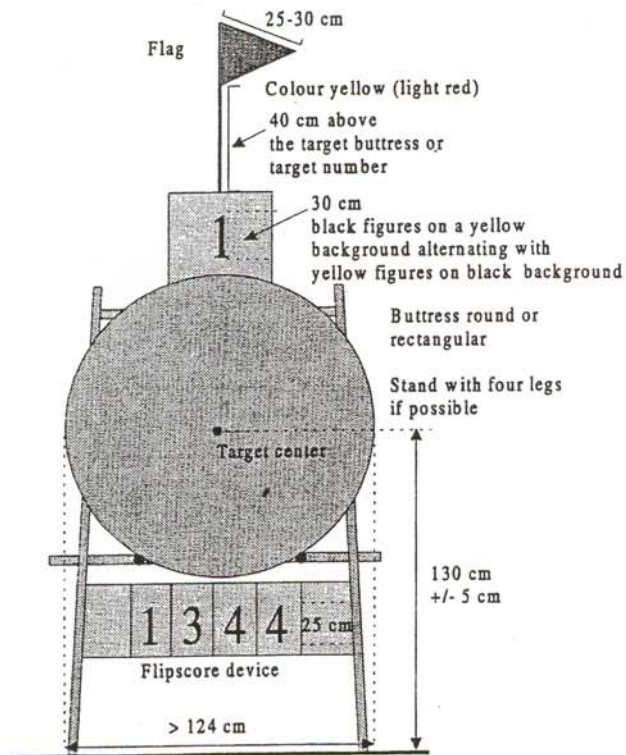
For ties deciding the entrance into the Elimination Rounds, or in matches, there will be a shoot-off to break the ties (the number of hit's, 10's and X's will not be used).

See the FITA rulebook for exact procedures for a shoot-off in both individual and team rounds.

It is very beneficial to the smooth running of the match play if on the pairing chart the targets that are going to be used for all of the matches are included. This can be either placed on the back of the scorecard or on a separate sheet given to each archer competing in the matches. This will let the archers know which target their next match will take place on.

MATCHPLAY CHART (64 competitors)





SCORECARDS

1. MODEL SCORECARDS OUTDOOR OLYMPIC ROUND Individuals

1/32nd ELIMINATION							
1	2	3	4	5	6	End	Total
Hit		10s		Xs		Shoot-off	

1/16 ELIMINATION							
1	2	3	4	5	6	End	Total
Hit		10s		Xs		Shoot-off	

Archer's Signature: _____

Archer's Signature: _____

Scorer's Signature: _____

Scorer's signature: _____

Archer: _____

Registration Number: _____

¼ FINAL				
1	2	3	End	Total
Hits	10s	Xs	Shoot	
			-off	

GOLD /BRONZE				
1	2	3	End	Total
Hits	10s	Xs	Shoot	
			-off	

Archer's Signature: _____

Archer's Signature: _____

Scorer's Signature: _____

Scorer's signature: _____

2. MODEL SCORECARDS - OUTDOOR OLYMPIC ROUND - Teams

1/8 ELIMINATION				
1	2	3	End	Total
Hits	10s	Xs	Shoot	
			-off	

1/4 FINAL				
1	2	3	End	Total
Hits	10s	Xs	Shoot	
			-off	

Archers' Signature: _____

Archers' Signature: _____

Scorer's Signature: _____

Scorer's signature: _____

Team: _____

SEMI-FINAL				
1	2	3	End	Total
Hits	10s	Xs	Shoot	Total
			-off	

GOLD/BRONZE				
1	2	3	End	Total
Hits	10s	Xs	Shoot	Total
			-off	

Archers' Signature: _____

Archers' Signature: _____

Scorer's Signature: _____

Scorer's signature: _____